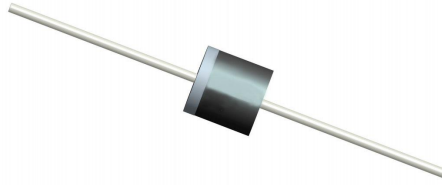


## R-6 packing information

B028, Rev. -

### 1. Finish Goods PKG photo



### 2. Packing method 1



**Fig.1- Box pack for Axial Lead**

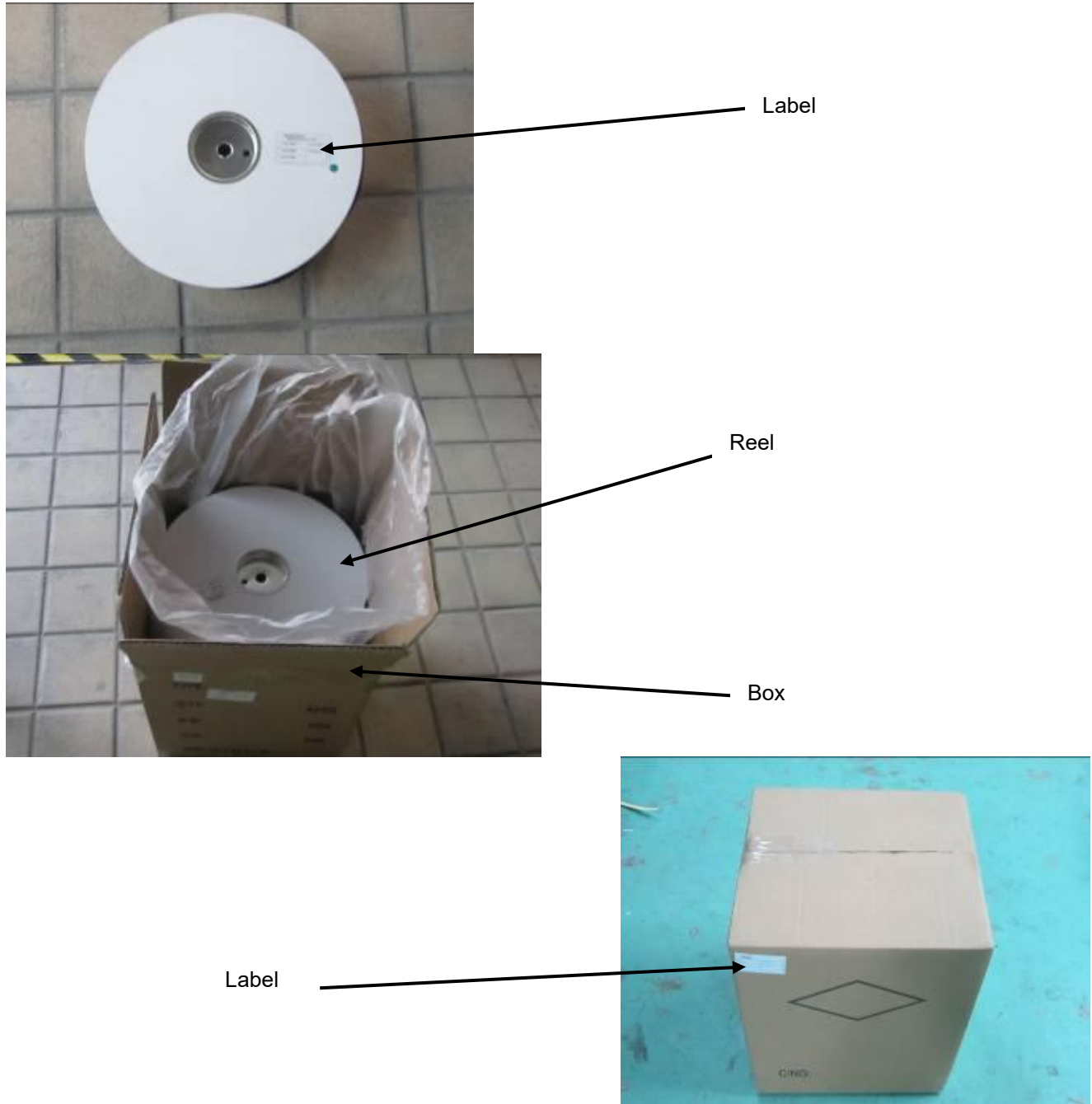
**Table 1. Packing information**

Package version	pcs/ Box	Inner box dimensions L×W×H (mm)	Inner box weight (Kg)	pcs/ Outer Box	Outer box dimensions L×W×H (mm)	Outer box weight (Kg)
R-6	450	255*75*140	1	4500	420*275*320	10.5

## R-6 packing information

B028, Rev. -

### 3. Reel Packing method 2



**Fig.1- Reel pack for Axial Lead**

**Table 2. Packing information**

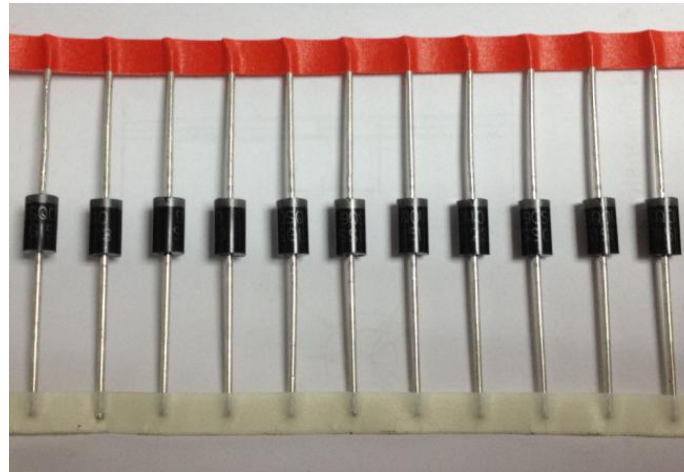
Package version	Reel dimensions $\phi \times H$ (mm)	Per Reel (pcs)	Reels per Outer box	Per Outer box (pcs)	Outer box dimensions L×W×H (mm)	Inner box weight (Kg)	Outer box weight (Kg)
R-6	$\phi 330 \times 79$	500	6	3000	350*340*435	1.50	9.5

## R-6 packing information

B028, Rev. -

### 4. Product orientation

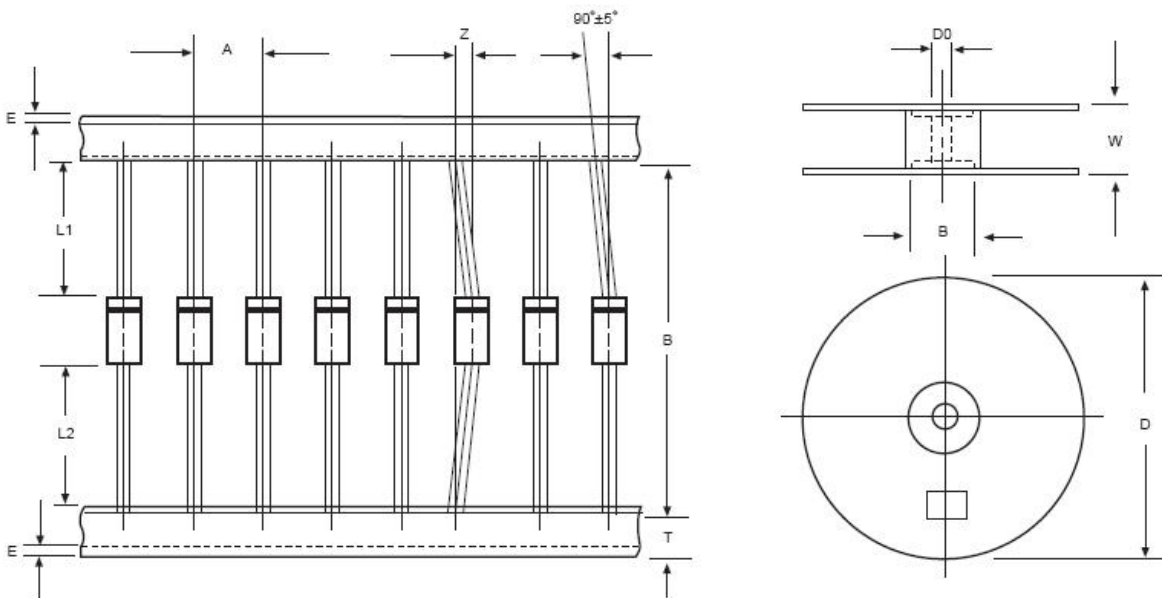
Standard product orientation R-6



→  
direction of feed

**Fig 2. Product orientation in carrier tape**

### 5. Carrier tape dimensions



**Fig 3. Carrier tape dimensions**

Table 3. Carrier tape dimensions

COMPONENT OUTLINE	COMPONENT PITCH A	INNER TAPE PITCH B		CUMULATIVE PITCH TOLERANCE
		$\pm 0.5\text{mm}$ (.020")	$\pm 1.5\text{mm}$ (0.059")	
R-6	10.0mm		52.4mm	2.0mm/10pitch

ITEM	SYMBOL	SPECIFICATIONS(mm)	SPECIFICATION(inch)
Component alignment	Z	1.2max.	0.048max.
Tape width	T	$6.0 \pm 0.4$	$0.236 \pm 0.016$
Exposed adhesive	E	0.8max.	0.032max.
Body eccentricity	IL1-L2I	1.0max.	0.040max.
Reel outside diameter	D	330.0	13.0
Reel inner diameter	D1	$85.7 + 0.3$	$3.375 \pm 0.012$
Feed hole diameter	D0	$30.5 + 0.4$	$1.201 \pm 0.016$
Reel width	W	$79.0 \pm 1.0$	$3.110 \pm 0.040$